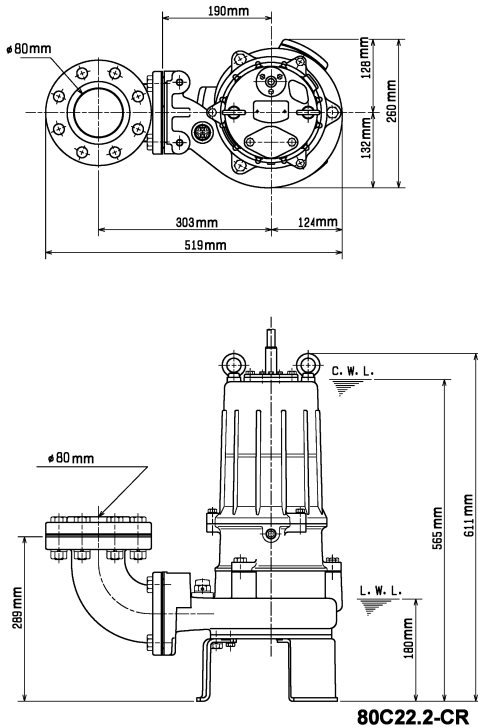
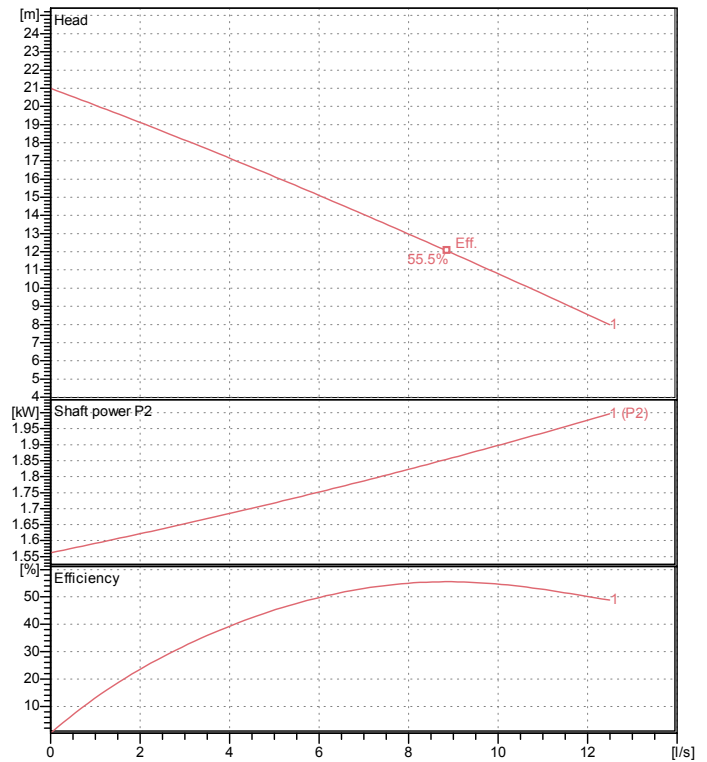


# Data sheet 80C22.2-CR-51



CWL: Continuous running water level  
LWL: Lowest running water level



## Specification

Electric submersible pump  
Degree of protection IP 68  
Depth of submersion max. 30 m  
Type of impeller Dual channel impeller  
Free passage 20 mm  
Suitable for:  
sewage water and liquids carrying solids

## Electric motor

Dry-type submersible induction motor  
Insulation class F 2Poles 2850 1/min  
Starting mode Directly  
Rated voltage 400 V 50 Hz 3~  
Power uptake 3.10 kW  
Rated power 2.20 kW  
Rated current 5.2 A  
Start current 58.2 A

## Cable

10m H07RN-F 4Cx1,5mm<sup>2</sup>

## Motor Protection

Circle thermal protector  
(snap-action bi-metal device)

## Shaft seal

Double inside mechanical seal in oil bath  
additional lubrication by oil lifting device  
Primary seal  
Silicon carbide on silicon carbide  
Secondary seal  
Silicon carbide on silicon carbide

## Bearings

Shielded ball bearings, maintenance-free

## Materials

Impeller  
Chromium Iron HiCrFC + Tungsten Carbide  
Pump casing FC200 (EN-GJL-200)  
Suction cover Chromium Iron HiCrFC  
Motor Frame FC200 (EN-GJL-200)  
Shaft Stainless steel SUS420J2

## Discharge size

3" (80mm) special screwed-in mating flange  
guide rail fitting optional

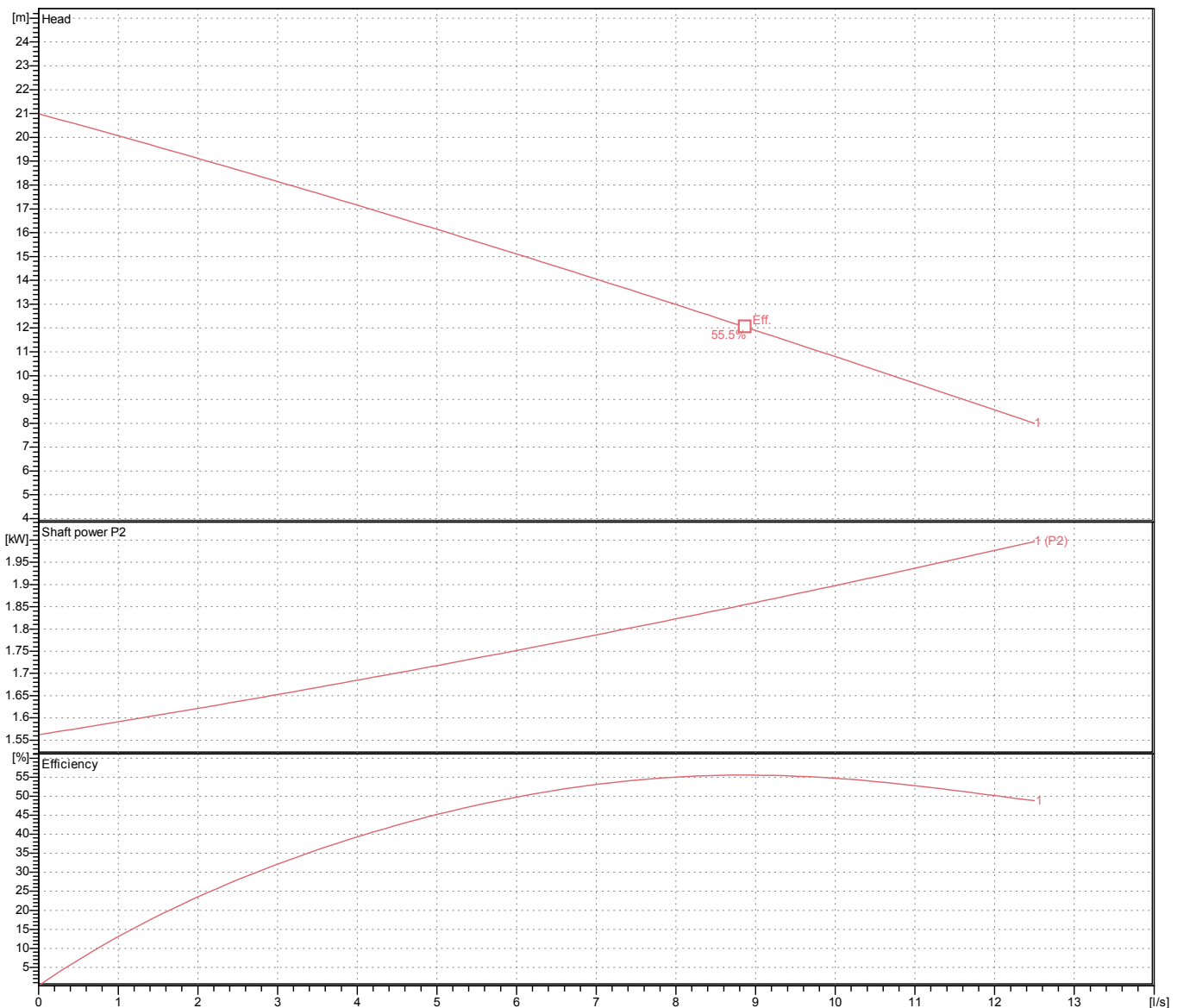
## Weight

70 kg (dry weight of the pump only without cable)

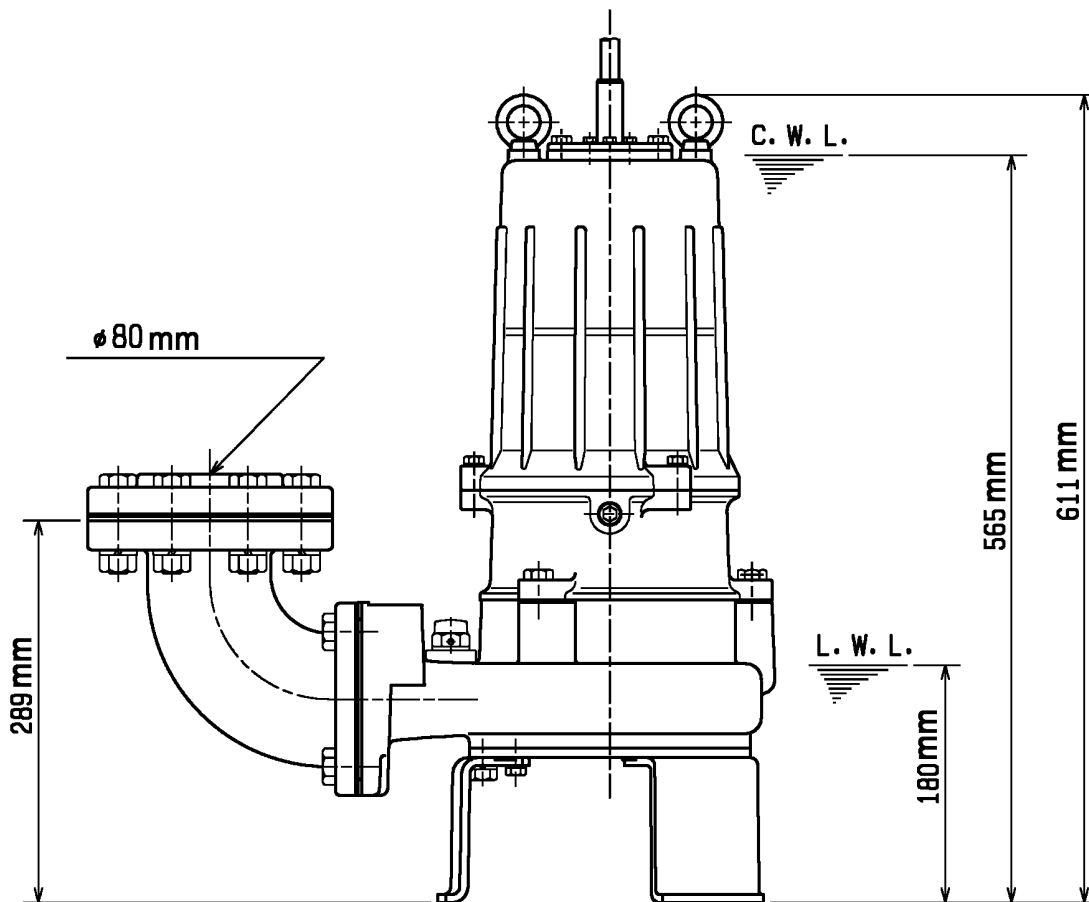
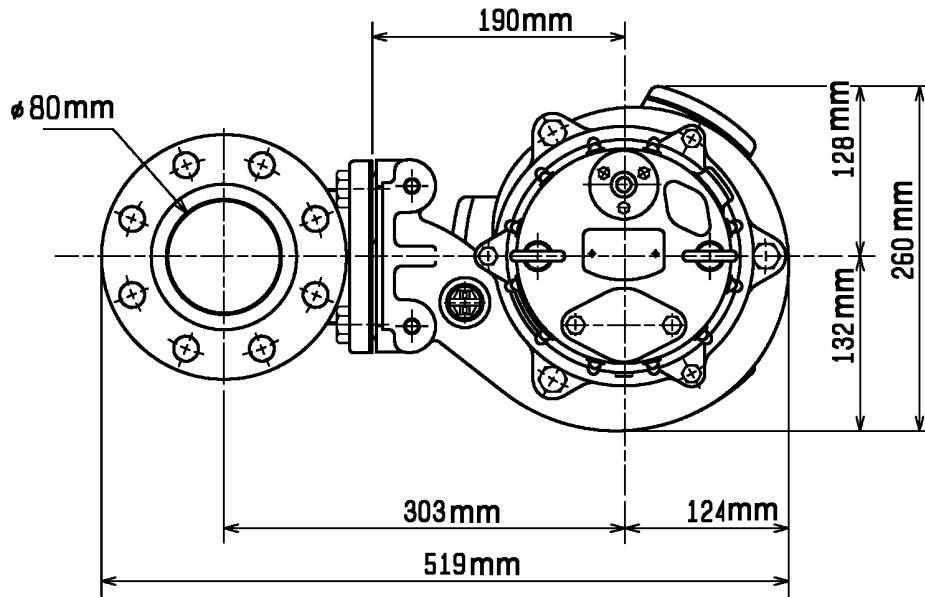
# Performance curve

## 80C22.2-CR-51

Discharge port	3"
Head	21.0 m
Flow	12.5 l/s
Rated power	2.20 kW
Power input	3.10 kW
Phases	3~
Voltages	400 V
Frequency	50 Hz
Rated current	5.2 A
Starting current	58.24 A
Number of poles	2
Speed	2850 1/min
Starting mode	Directly
Insulation class	F



# Dimensions 80C22.2-CR-51



**80C22.2-CR**

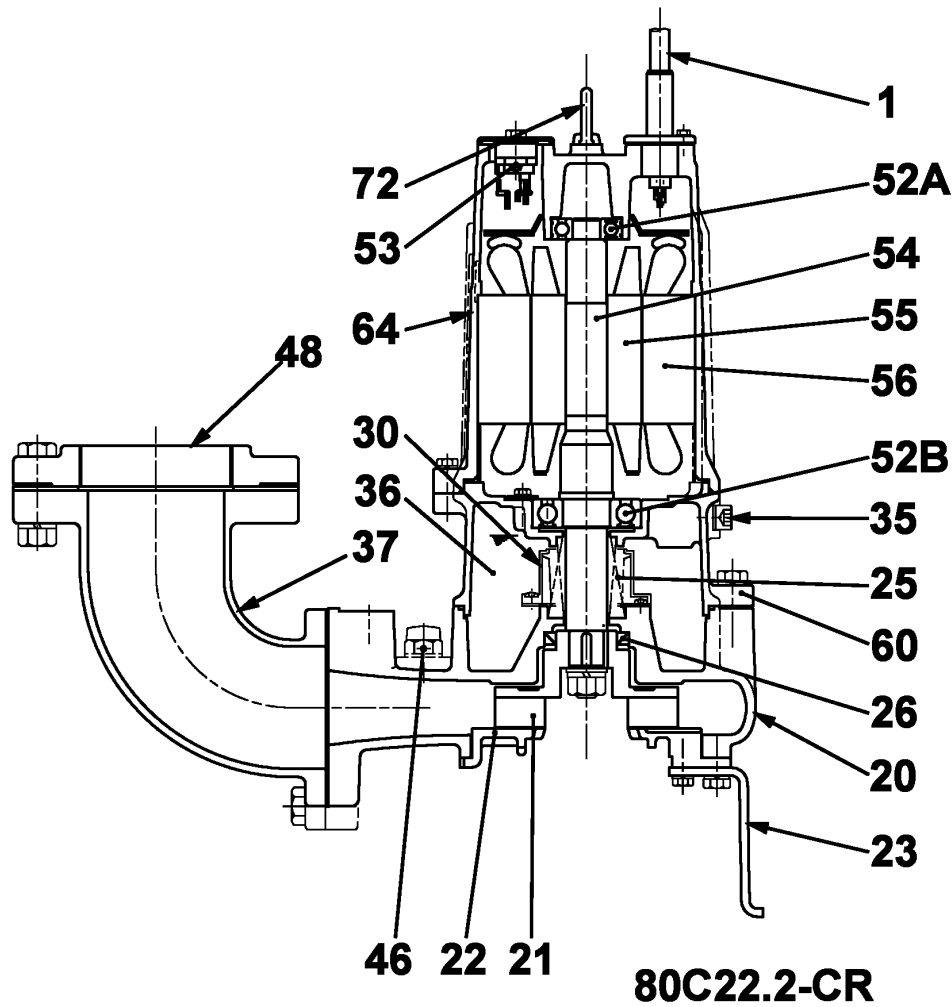
CWL: Continuous running water level  
LWL: Lowest running water level



Tsurumi Europe GmbH  
24.08.2011

Heltorfer Str. 14 \* 40472 Düsseldorf \* Germany  
Tel.: +49-211-4179373 sales@tsurumi.eu  
Fax: +49-211-4791429 www.tsurumi.eu

# Sectional drawing 80C22.2-CR-51



No.	Denomination	Remark	No.	Denomination	Remark
1	Cable	H07RN-F	54	Shaft	Stainless steel SUS420J2
20	Pump casing	FC200 (EN-GJL-200)	55	Rotor	.
21	Impeller	Chromium Iron HiCrFC + Tungsten Carbide	56	Stator	.
22	Suction cover	Chromium Iron HiCrFC	60	Bearing Housing	FC200 (EN-GJL-200)
23	Stand support (3x)	Construction steel SS400	64	Motor Frame	FC200 (EN-GJL-200)
25	Mechanical seal	H-30A	72	Eye screw	Stainless steel SUS304
26	Oil seal	TC45629			
30	Oil distributor	Plastic			
35	Oil screw	Stainless steel SUS304			
36	Lubricant	Turbine oil (ISO VG32)			
37	Discharge bend	FC200 (EN-GJL-200)			
46	Air vent screw	Nylon			
48	Screwed Flange	FC200 (EN-GJL-200)			
52A	Upper bearing	6304ZZC3			
52B	Lower bearing	6307ZZC3			
53	Motor Protector	.			